

CNC Fiber Laser Cutting Machine

Gantry structure and integrated cast cross-girder machine body which is featured with rigidity, stability and anti-shocking property



PARTS AND FUNCTION



Switzerland RAYTOOLS Laser Head
optimization of the optical configuration
smooth and efficient air flow design rotary knob focus adjustment more easy and flexible



France MOTOREDUCTER
satellite gears are double-supported on hardened and ground shafts with full-complement needle bearings increasing torsional stiffness



Japan YASKAWA servo motor
the increased power demands of large automation components utilize the robust performance of SGM7G



JAPAN NSK Bearings
These bearing housings have square flange which can be easily attached to a machine with four bolts. with its simple mounting face, this bearing unit is widely used.



Laser Source
We have two types of laser sources: MAXPHOTONICS and IPG, Which can be supplied according to customer request.



Japan SMC Pneumatic Components
Stepless control of air pressure proportional to an electrical signal. Compact/lightweight (Integrated communication parts.)



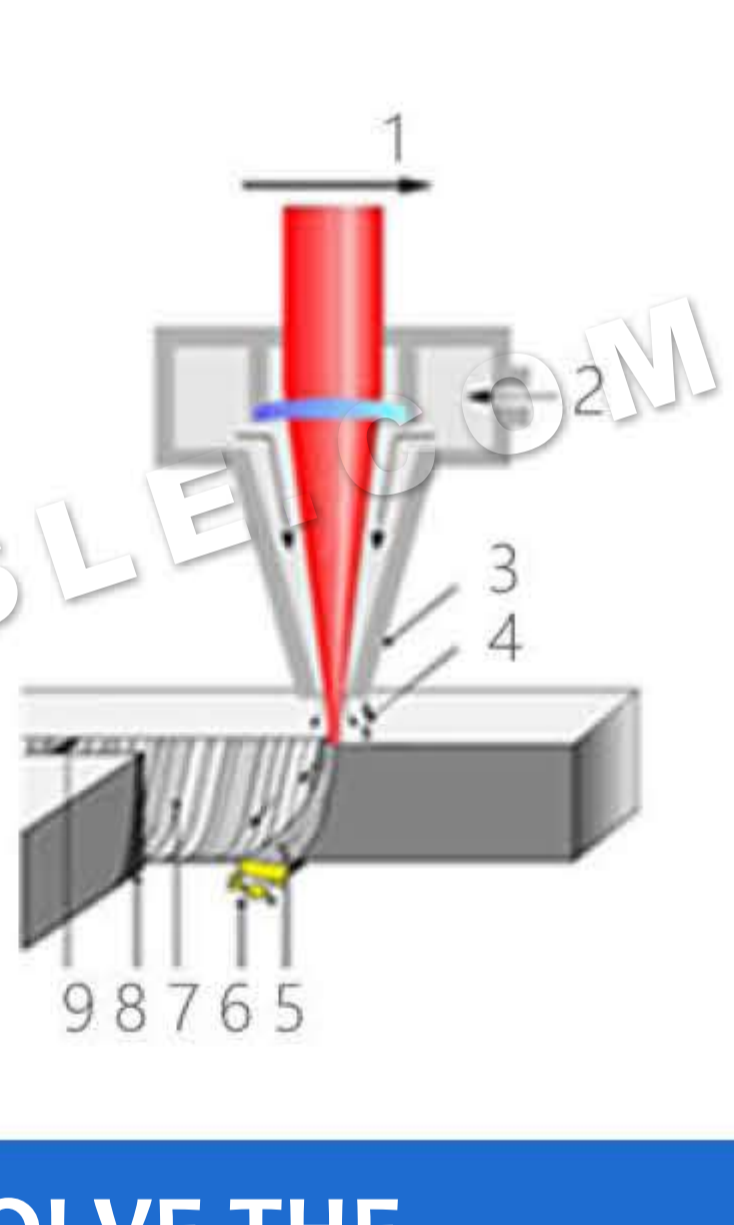
France Schneider Electronic Component
Circuit protection against short-circuit currents, overload currents.



Auto Lubrication System
Electrical lubrication is a kind of gear pump with rational construction, great performance, complete functions.

WORKING PRINCIPLE

1. Moving direction
2. Auxiliary Gas
3. Nozzle
4. Nozzle Distance
5. Molten Material
6. Residues
7. Cutting section
8. Heat Affected Zone
9. Joint-Cutting



HELP YOU TO SOLVE THE FOLLOWING PROBLEMS EASILY

- SAVE MAN POWER**
 - Save manpower cost
 - Solve the problem- High cost and difficult management of labor force
- HIGH EFFICIENCY**
 - High speed, convenient operation
 - Solve the problem- Artificial or common mechanical processing with low speed, low efficiency
- GOOD QUALITY**
 - High precision smooth section is convenient for welding processing or assembling
 - Solve the problem- poor precision, coarse section, large slit
- STANDARDIZATION**
 - Computer operation standardization production
 - Solve the problem- Batch job error
- LOW COST**
 - Almost zero maintenance cost
 - Solve the problem- The equipment maintenance cost is high, the continuous investment
- ENVIRONMENTAL PROTECTION**
 - High-efficiency laser source, dust and smoke treatment device
 - Solve the problem- High energy consumption, serious pollution

FINE PROCESSING

Low cost in use	power consumption is only 20-30% of CO2 laser
High speed	2-3 time faster than yag or CO2 laser
High accuracy	Fine laser beam, slim kerf
Low maintenance	Almost zero maintenance cost

